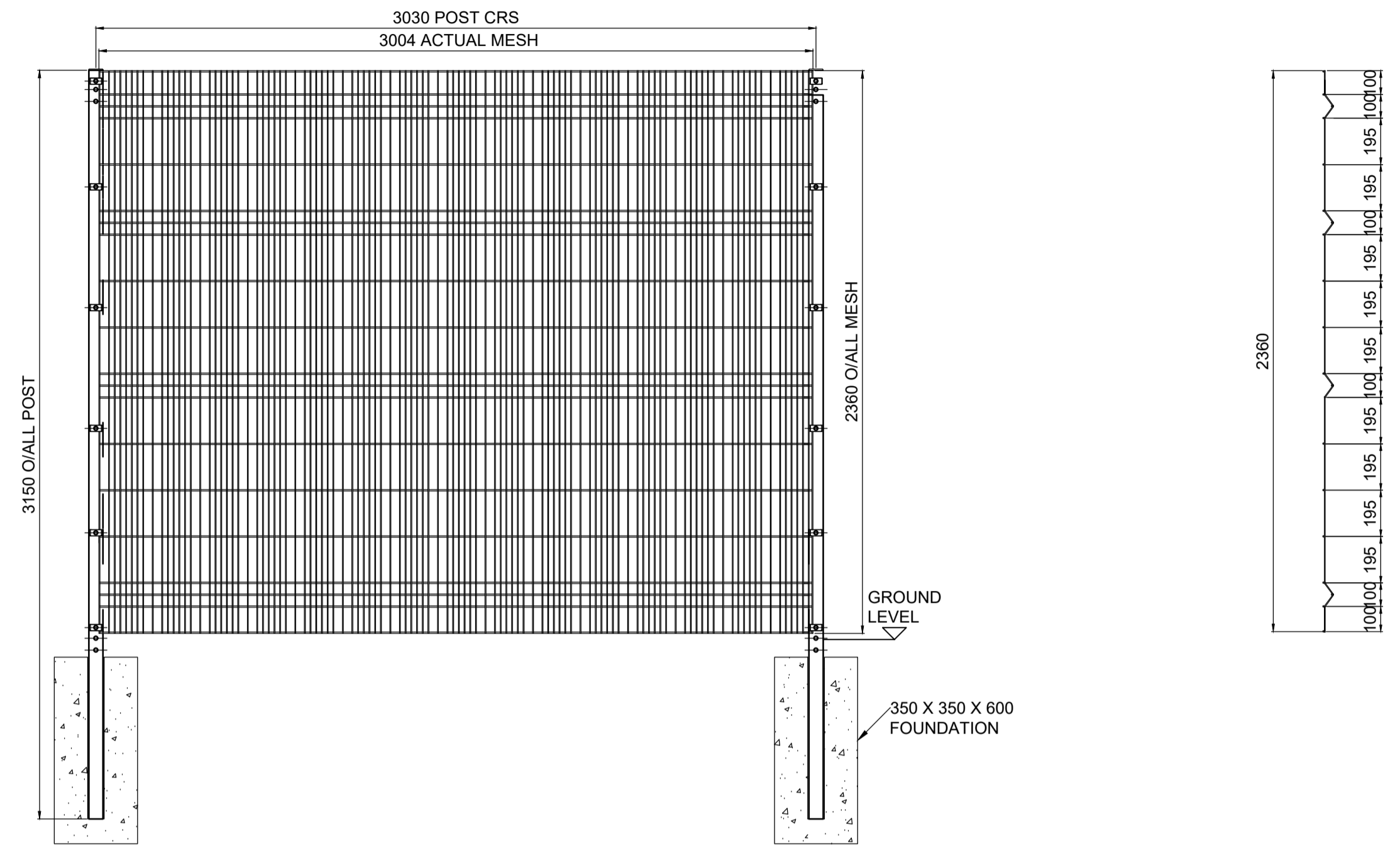


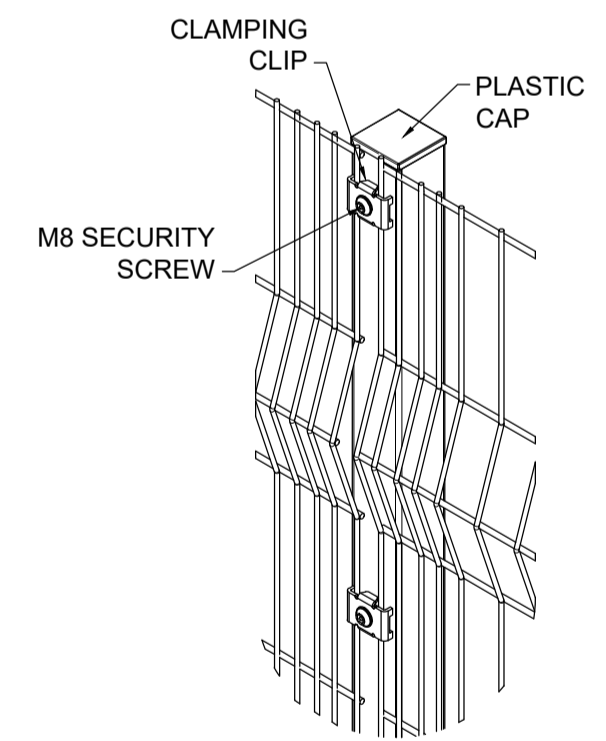
Product Code	Post Size (mm)	Height (mm)	Post Centres (mm)	Horizontal Wires (QTY)	Notes: All size panels Vertical Wires Ø4mm Horizontal Wires Ø5mm
A02-18	60 x 60	1755	3030	15	Aperture 24mm x 195mm - min 40mm x 195mm - max
A02-20	60 x 60	1970	3030	18	
A02-24	60 x 60	2360	3030	20	

WORKING DRAFT ARUP

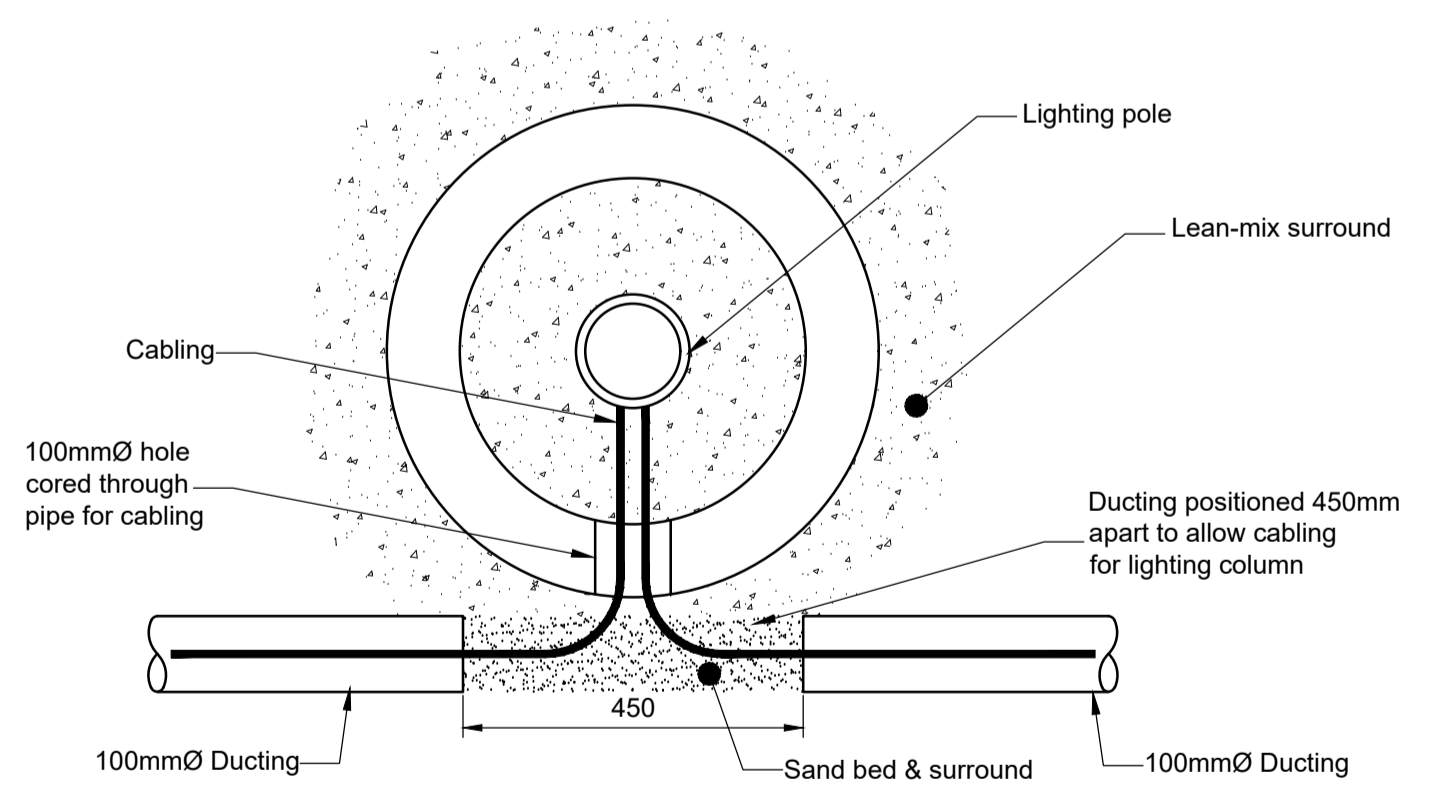


PALADIN FENCING ELEVATION
SCALE 1:50

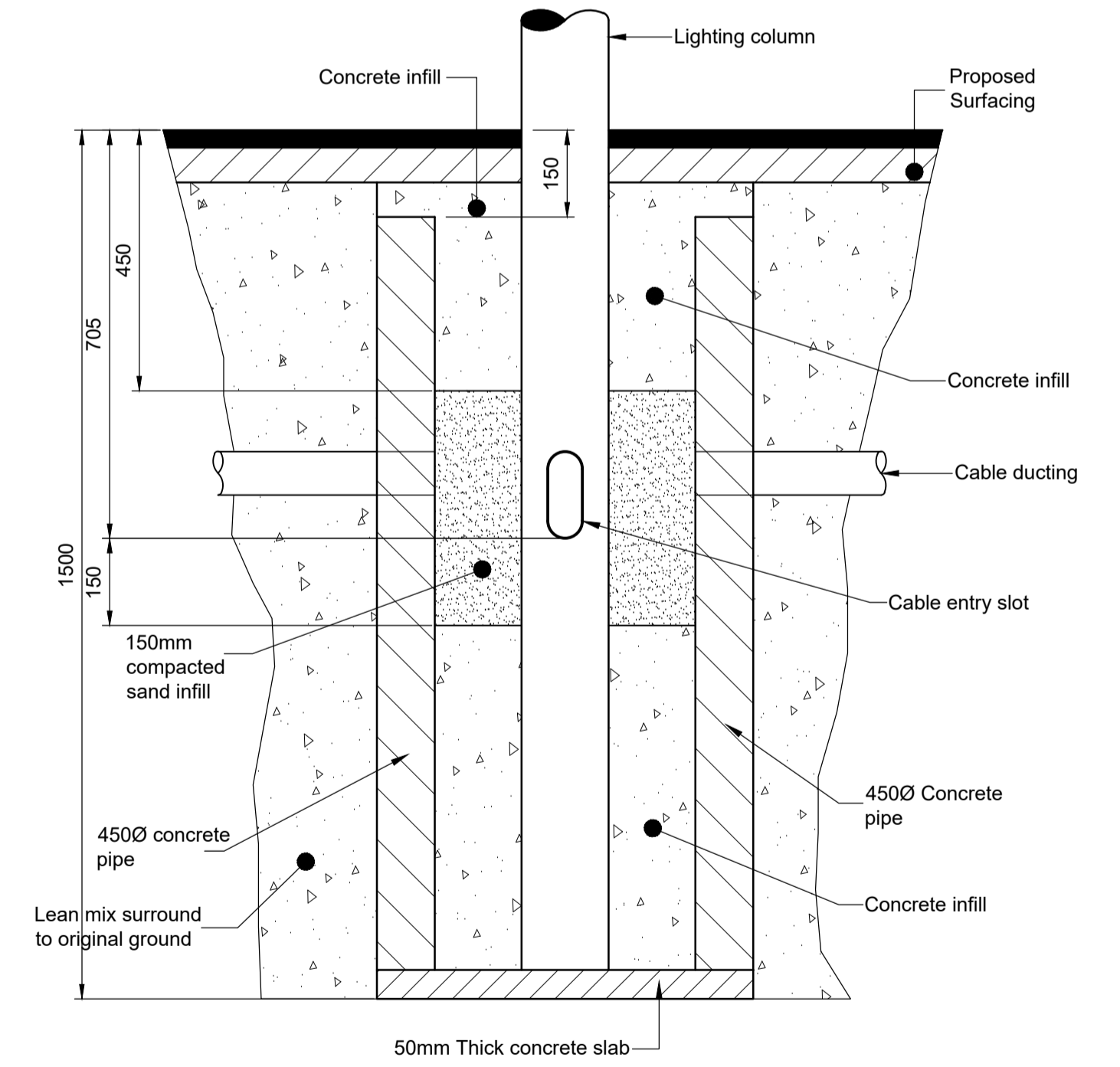
PALADIN FENCING SECTION
SCALE 1:50



PALADIN FENCING POST DETAIL
NTS.



Lighting Column Plan - Section A - A
Scale 1:10



Lighting Column Foundation Detail
Scale 1:10

PL1	12/12/19	SB	MM	EJL
Issued for Planning				
Rev	Date	By	Chkd	Appd



Client: GreenLink Interconnector

Project Title: Typical Civil Details
Sheet 4 of 4

Scale at A1	As Shown
Role	Civil
Suitability	Planning
Arup Job No	246369
Name	C-CS-080
Rev	PL1